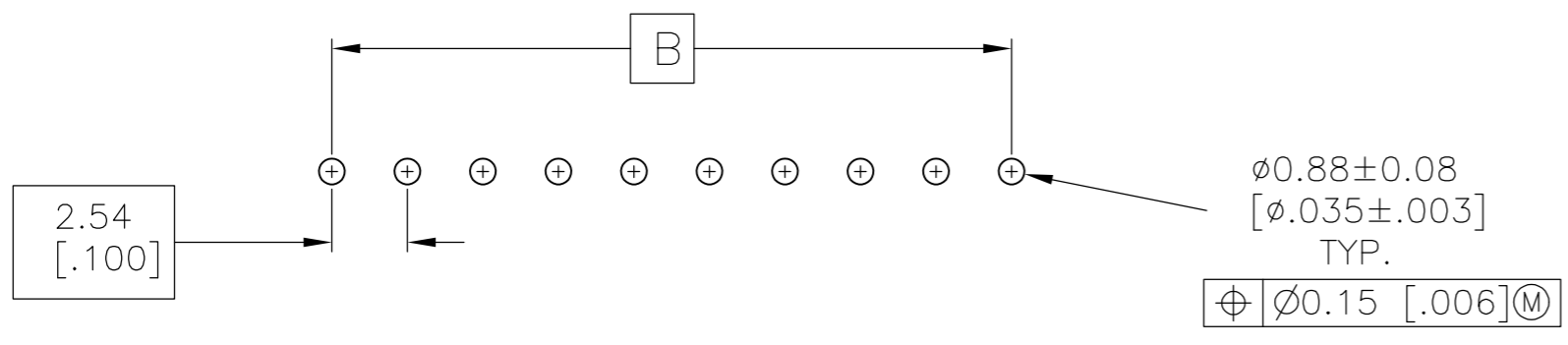
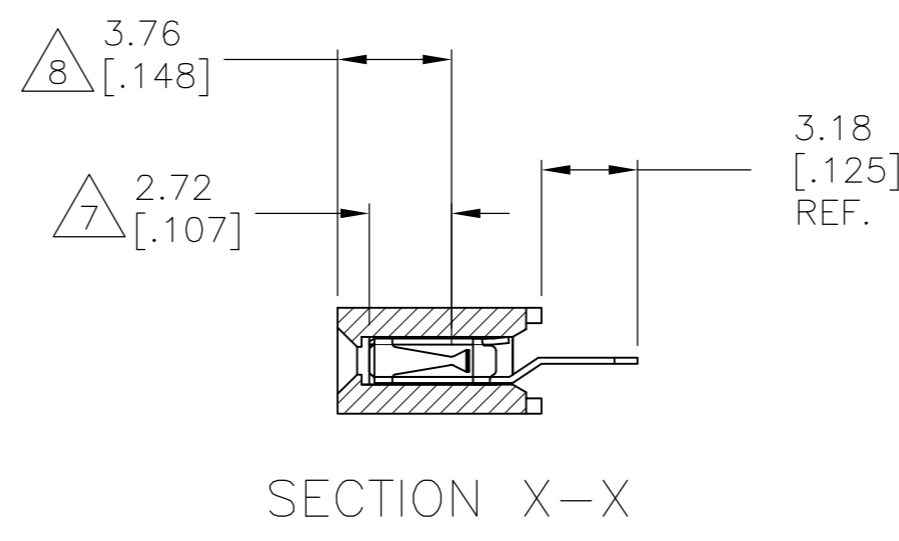
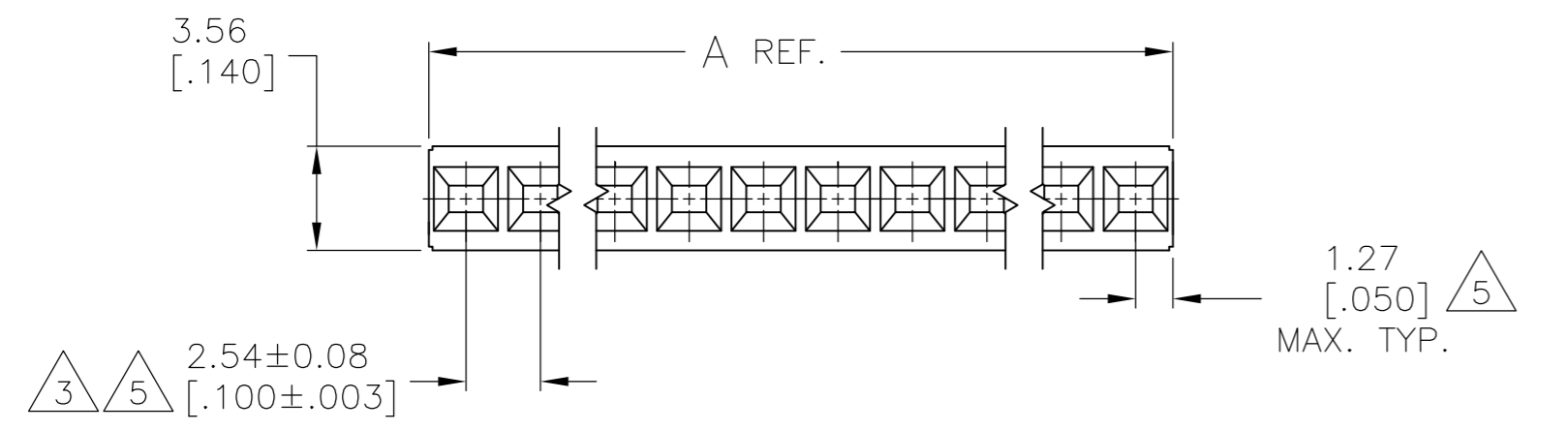
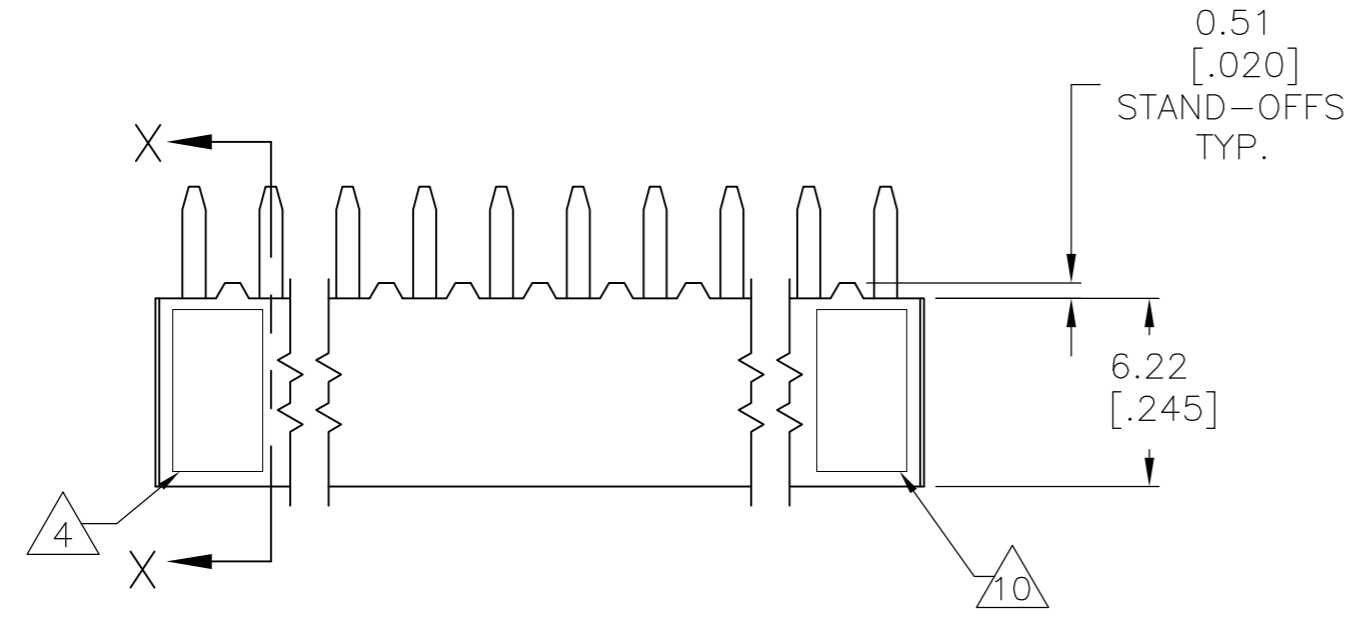


THIS DRAWING IS UNPUBLISHED. RELEASED FOR PUBLICATION
 © COPYRIGHT BY TYCO ELECTRONICS CORPORATION. ALL INTERNATIONAL RIGHTS RESERVED.

LOC		DIST		REVISIONS			
AD	00	P	LTR	DESCRIPTION	DATE	DWN	APVD
		L1		REVISED PER ECO-08-019092	05AUG08	HMR	JO



RECOMMENDED PCB LAYOUT

- 1 HOUSING: FLAME RETARDANT, GLASS FILLED, POLYESTER, COLOR: BLACK. CONTACT: PHOSPHOR BRONZE
- 2 CONTACT: DUPLEX PLATED 0.25µm[.000010] MIN GOLD IN CONTACT AREA, 3.81-7.62µm[.000150-.000300] BRIGHT TIN-LEAD ON LEADS ALL OVER 1.27µm[.000050] NICKEL
- 3 THESE DIMENSIONS PERTAIN TO CAVITY CENTERLINES ONLY - NOT TO CONTACT LOCATIONS
- 4 PART NUMBER AND DATE CODE ARE MARKED IN APPROXIMATE LOCATION SHOWN.
- 5 TOLERANCE IS NON-CUMULATIVE.
- 6 2 POSITION DATE CODE IS MARKED OPPOSITE SIDE OF TE LOGO.
- 7 POINT-OF-MEASUREMENT DIMENSION FOR PLATING THICKNESS (INSIDE CONTACT BEAM).
- 8 POINT-OF-CONTACT DIMENSION.
- 9 NO PART NUMBER MARKING REQUIRED FOR THIS PART.
- 10 TE LOGO AND CSA LOGO ARE MOLDED INTO HOUSING.
- 11 CONTACT: DUPLEX PLATED 0.25µm[.000010] MIN GOLD IN CONTACT AREA, 3.81-7.62µm [.000150-.000300] MATTE TIN ON LEADS, ALL OVER 1.27µm[.000050] MIN. NICKEL.
- 12 ROHS 2002/95/EC COMPLIANT

9	2.54 [.100]	5.08 [.200]	2	2	6	3-146138-9
	96.52 [3.800]	99.06 [3.900]	39	2		3-146138-8
	93.98 [3.700]	96.52 [3.800]	38	2		3-146138-7
	91.44 [3.600]	93.98 [3.700]	37	2		3-146138-6
	88.90 [3.500]	91.44 [3.600]	36	2		3-146138-5
	86.36 [3.400]	88.90 [3.500]	35	2		3-146138-4
	83.82 [3.300]	86.36 [3.400]	34	2		3-146138-3
	81.28 [3.200]	83.82 [3.300]	33	2		3-146138-2
	78.74 [3.100]	81.28 [3.200]	32	2		3-146138-1
	71.12 [2.800]	73.66 [2.900]	29	2		3-146138-0
	68.58 [2.700]	71.12 [2.800]	28	2		2-146138-9
	66.04 [2.600]	68.58 [2.700]	27	2		2-146138-8
	63.50 [2.500]	66.04 [2.600]	26	2		2-146138-7
	60.96 [2.400]	63.50 [2.500]	25	2		2-146138-6
	58.42 [2.300]	60.96 [2.400]	24	2		2-146138-5
	55.88 [2.200]	58.42 [2.300]	23	2		2-146138-4
	53.34 [2.100]	55.88 [2.200]	22	2		2-146138-3
	50.80 [2.000]	53.34 [2.100]	21	2		2-146138-2
	76.20 [3.000]	78.74 [3.100]	31	2		2-146138-1
	99.06 [3.900]	101.60 [4.000]	40	2		2-146138-0
	73.66 [2.900]	76.20 [3.000]	30	2		1-146138-9
	48.26 [1.900]	50.80 [2.000]	20	2		1-146138-8
	45.72 [1.800]	48.26 [1.900]	19	2		1-146138-7
	43.18 [1.700]	45.72 [1.800]	18	2		1-146138-6
	40.64 [1.600]	43.18 [1.700]	17	2		1-146138-5
	38.10 [1.500]	40.64 [1.600]	16	2		1-146138-4
	35.56 [1.400]	38.10 [1.500]	15	2		1-146138-3
	33.02 [1.300]	35.56 [1.400]	14	2		1-146138-2
	30.48 [1.200]	33.02 [1.300]	13	2		1-146138-1
	27.94 [1.100]	30.48 [1.200]	12	2		1-146138-0
	25.40 [1.000]	27.94 [1.100]	11	2		146138-9
	22.86 [.900]	25.40 [1.000]	10	2		146138-8
	20.32 [.800]	22.86 [.900]	9	2		146138-7
	17.78 [.700]	20.32 [.800]	8	2		146138-6
	15.24 [.600]	17.78 [.700]	7	2		146138-5
	12.70 [.500]	15.24 [.600]	6	2		146138-4
9	10.16 [.400]	12.70 [.500]	5	2		146138-3
9	7.62 [.300]	10.16 [.400]	4	2		146138-2
9	5.08 [.200]	7.62 [.300]	3	2		146138-1

B	A	NO OF POSN	FINISH	PART NUMBER
---	---	------------	--------	-------------

THIS DRAWING IS A CONTROLLED DOCUMENT.

DWN M.BINNER 05NOV02
 CHK J.OLSON 05NOV02
 APVD J.OLSON 05NOV02

TOLERANCES UNLESS OTHERWISE SPECIFIED:
 0 PLC ± -
 1 PLC ± -
 2 PLC ± 0.25[.010]
 3 PLC ± 0.13[.005]
 4 PLC ± -
 ANGLES ± -
 FINISH

114-25022
 APPLICATION SPEC
 114-25018

108-25022
 PRODUCT SPEC

Tyco Electronics Corporation
 Harrisburg, PA 171505

RECPT. ASSY., MOD IV, SINGLE ROW, .100 CL.,
 VERTICAL BOARD MOUNT, CLOSED, TOP ENTRY,
 SHORT PNT. OF CONTACT

SIZE A2 CAGE CODE 00779 DRAWING NO. C=146138 RESTRICTED TO -

CUSTOMER DRAWING SCALE 4:1 SHEET 1 OF 2 REV L1

THIS DRAWING IS UNPUBLISHED. RELEASED FOR PUBLICATION
 © COPYRIGHT BY TYCO ELECTRONICS CORPORATION. ALL INTERNATIONAL RIGHTS RESERVED.

LOC	DIST	REVISIONS			
P	LTR	DESCRIPTION	DATE	DWN	APVD
		SEE SHEET 1			

9	11	2.54	[.100]	5.08	[.200]	2	12	6	8-146138-9
	11	96.52	[3.800]	99.06	[3.900]	39	12		8-146138-8
	11	93.98	[3.700]	96.52	[3.800]	38	12		8-146138-7
	11	91.44	[3.600]	93.98	[3.700]	37	12		8-146138-6
	11	88.90	[3.500]	91.44	[3.600]	36	12		8-146138-5
	11	86.36	[3.400]	88.90	[3.500]	35	12		8-146138-4
	11	83.82	[3.300]	86.36	[3.400]	34	12		8-146138-3
	11	81.28	[3.200]	83.82	[3.300]	33	12		8-146138-2
	11	78.74	[3.100]	81.28	[3.200]	32	12		8-146138-1
	11	71.12	[2.800]	73.66	[2.900]	29	12		8-146138-0
	11	68.58	[2.700]	71.12	[2.800]	28	12		7-146138-9
	11	66.04	[2.600]	68.58	[2.700]	27	12		7-146138-8
	11	63.50	[2.500]	66.04	[2.600]	26	12		7-146138-7
	11	60.96	[2.400]	63.50	[2.500]	25	12		7-146138-6
	11	58.42	[2.300]	60.96	[2.400]	24	12		7-146138-5
	11	55.88	[2.200]	58.42	[2.300]	23	12		7-146138-4
	11	53.34	[2.100]	55.88	[2.200]	22	12		7-146138-3
	11	50.80	[2.000]	53.34	[2.100]	21	12		7-146138-2
	11	76.20	[3.000]	78.74	[3.100]	31	12		7-146138-1
	11	99.06	[3.900]	101.60	[4.000]	40	12		7-146138-0
	11	73.66	[2.900]	76.20	[3.000]	30	12		6-146138-9
	11	48.26	[1.900]	50.80	[2.000]	20	12		6-146138-8
	11	45.72	[1.800]	48.26	[1.900]	19	12		6-146138-7
	11	43.18	[1.700]	45.72	[1.800]	18	12		6-146138-6
	11	40.64	[1.600]	43.18	[1.700]	17	12		6-146138-5
	11	38.10	[1.500]	40.64	[1.600]	16	12		6-146138-4
	11	35.56	[1.400]	38.10	[1.500]	15	12		6-146138-3
	11	33.02	[1.300]	35.56	[1.400]	14	12		6-146138-2
	11	30.48	[1.200]	33.02	[1.300]	13	12		6-146138-1
	11	27.94	[1.100]	30.48	[1.200]	12	12		6-146138-0
	11	25.40	[1.000]	27.94	[1.100]	11	12		5-146138-9
	11	22.86	[.900]	25.40	[1.000]	10	12		5-146138-8
	11	20.32	[.800]	22.86	[.900]	9	12		5-146138-7
	11	17.78	[.700]	20.32	[.800]	8	12		5-146138-6
	11	15.24	[.600]	17.78	[.700]	7	12		5-146138-5
	11	12.70	[.500]	15.24	[.600]	6	12		5-146138-4
9	11	10.16	[.400]	12.70	[.500]	5	12		5-146138-3
9	11	7.62	[.300]	10.16	[.400]	4	12		5-146138-2
9	11	5.08	[.200]	7.62	[.300]	3	12		5-146138-1

FINISH	B	A	NO OF POSN	PART NUMBER
--------	---	---	------------	-------------

THIS DRAWING IS A CONTROLLED DOCUMENT.		DWN M.BINNER 05NOV02	Tyco Electronics Corporation Harrisburg, PA 171505	
DIMENSIONS: mm [INCHES]		CHK J.OLSON 05NOV02	NAME RECPT.ASSY, MOD IV, SINGLE ROW, .100CL, VERTICAL BOARD MOUNT, CLOSED, TOP ENTRY, SHORT PNT. OF CONTACT	
TOLERANCES UNLESS OTHERWISE SPECIFIED: 0 PLC ± - 1 PLC ± - 2 PLC ± 0.25[.010] 3 PLC ± 0.13[.005] 4 PLC ± - ANGLES ± -		APVD J.OLSON 05NOV02	DRAWING NO 108-25022	
MATERIAL		PRODUCT SPEC 114-25018	SIZE A2	RESTRICTED TO -
FINISH		APPLICATION SPEC 114-25018	CAGE CODE 00779	SCALE 4:1
CUSTOMER DRAWING		WEIGHT -	DRAWING NO C=146138	SHEET 2 OF 2
				REV L1